

Searching for patents

- Exercise session



Dominique Winne

Examiner (ICT)



8 November 2017

About coffee



© NESTLÉ


A patent for the cartridge

(19)  (11)  EP 1 998 297 B1

(12) EUROPEAN PATENT SPECIFICATION


(45) Date of publication and mention of the grant of the patent: 18.03.2009 Bulletin 2009/12 (51) Int Cl: G07F 13/10 (2006.01)

(21) Application number: 07425356.8

Filing date → 

(54) Improved automatic vending machine
Verbesserter Verkaufsautomat
Distributeur automatique amélioré

(84) Designated Contracting States: AT BE BG CH CY CZ DE DK EE ES FI FR GB GR HU IE IS IT LI LT LU LV MC MT NL PL PT RO SE SI SK TR

Priority → 

(43) Date of publication of application: 03.12.2008 Bulletin 2008/49

(60) Divisional application: 08171998.1

(73) Proprietor: F.A.S. International S.p.A.
36015 Schio (Vicenza) (IT)

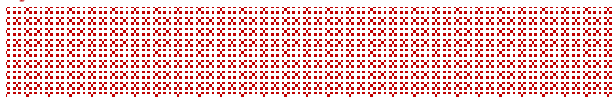
(72) Inventor: Cattaneo, Pietro
36015 Schio (VI) (IT)

(74) Representative: Simino, Massimo et al
Pierani Mezzanotte & Partners
Piazza S. Babila, 5
20122 Milano (IT)

(56) References cited:
EP-A- 1 526 485 FR-A1- 2 883 089
GB-A- 2 155 807 US-A1- 2004 069 795

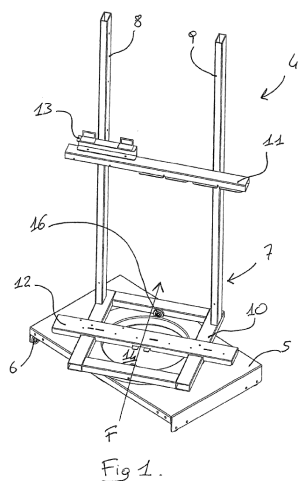
The technical problem

The reliability of the vending machines is therefore increasingly important: if a machine is out of order even for a short period of time, negative consequences may be suffered both in terms of lost revenue and in terms of bad publicity owing to the large number of potential customers who are unable to avail themselves of the products in the machine.



It is also important to solve the problem of the negative image created by a vending machine under repair: in the known vending machines, the internal components are arranged in layers such that, in order to gain access to a component situated at the rear, it is necessary to remove the components which are arranged in front of it. These preliminary operations, in addition to being long

Claim 1 – the solution



Automatic vending machine (1) comprising:

- a frame (2) defining internally a volume for housing the internal components necessary for operation of the vending machine (1);

- said frame (2) supporting a first part of said internal components;

characterized in that

it comprises at least one internal frame (3) which is mounted on the internal frame (2) and is movable with respect to said frame (2) between a first advanced position and a second working position;

wherein the internal frame (3) is mounted on the internal frame (2) in such a way that it can be easily extracted and accessed by a technician.

Vending machine

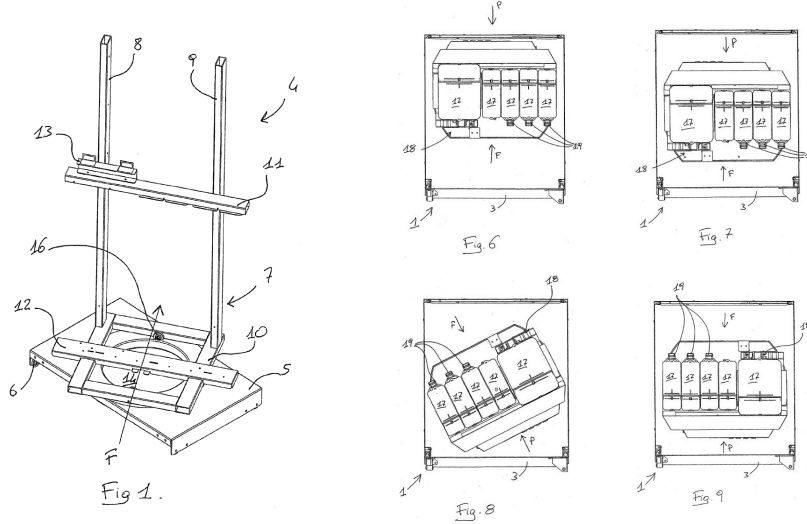
§ Italian inventor

§ **Problem:** servicing a vending machine is time consuming; moreover a vending machine out of service looks bad.

§ **Solution: Mounting components on a movable internal frame**

§ What is it? A frame, inside the machine, in which all the components are mounted, so that they can be easily extracted and accessed by a technician

What does it look like?



European Patent Office

7

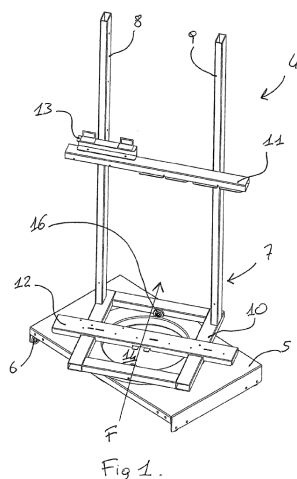
Questions

- § What do you think the inventive concept is in this case?
- § What do you think the applicants claimed?
- § How would you have structured a suitable claim?

European Patent Office

8

What did the applicant claim in the application?



Automatic vending machine (1) comprising:

- a frame (2) defining internally a volume for housing the internal components necessary for operation of the vending machine (1);
- said frame (2) supporting a first part of said internal components;

characterized in that:

it comprises an internal frame (4) able to support a second part of said internal components movably with respect to said frame (2), between a first advanced position and a second working position;
said internal frame (4) being itself movable with respect to said frame (2), between said first advanced position and said second working position.

European Patent Office

9

Is it new?

§ Priority date: 01 June 2007

§ Test for novelty: Did any document/publication exist before 01 June 2007 that, when taken alone, discloses the invention claimed in the patent application?

§ International search report states claims 1 to 9 and 11-15 may not be novel and/or inventive. Why?

§ The examiner cited three relevant prior art documents:

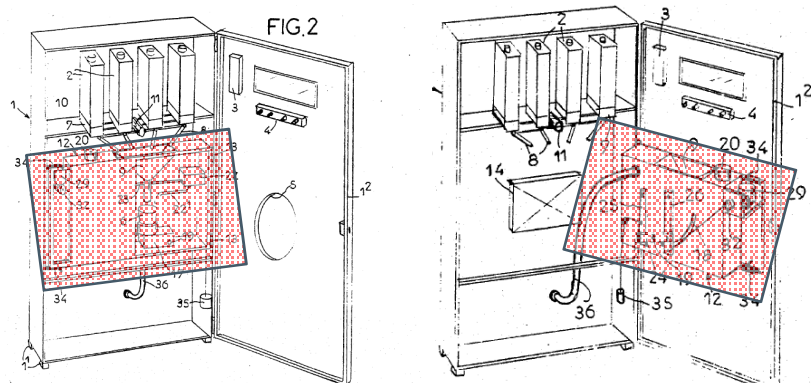
- FR2631802 dated 1 December 1989
- GB2155907A dated 2 October 1985
- WO 2008/067843 dated 12 June 2008 – filed on 18 December 2006

European Patent Office

10

Is it new?

FR2631802

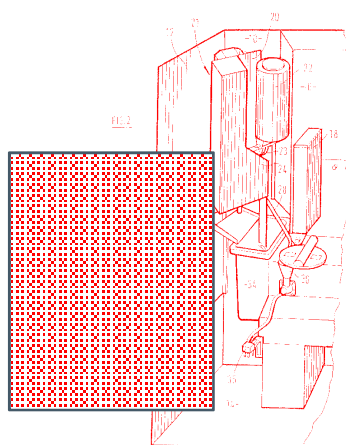


European Patent Office

11

Is it new?

GB2155907A

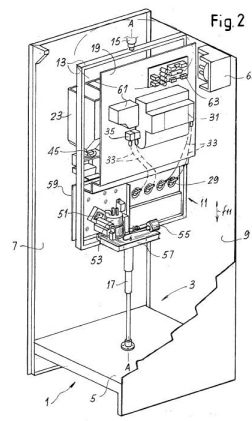
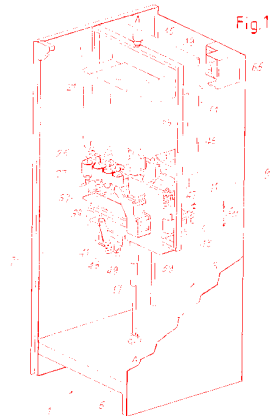


European Patent Office

12

Is it new?

WO 2008/067843



European Patent Office

13

What did the applicants do next?

§ Options

- Abandon the patent application **or**
- Request examination

§ Decision

- To continue prosecution by requesting examination report

§ The claims had to be amended to ensure they were novel and inventive

European Patent Office

14

Comparison between original and granted claim 1

Original claim 1	Granted claim 1
Automatic vending machine (1) comprising:	Automatic vending machine (1) comprising:
- a frame (2) defining internally a volume for housing the internal components necessary for operation of the vending machine	- a frame (2) defining internally a volume for housing the internal components necessary for operation of the vending machine
said frame (2) supporting a first part of said internal components; characterized in that:	said frame (2) supporting a first part of said internal components; wherein
it comprises an internal frame (4) able to support a second part of said internal components movably with respect to said frame (2), between a first advanced position and a second working position;	said automatic vending machine (1) comprises an internal frame (4) able to support a second part of said internal components movably with respect to said frame (2), between a first advanced position and a second working position;
said internal frame (4) being itself movable with respect to said frame (2), between said first advanced position and said second working position.	said internal frame (4) being itself movable with respect to said frame (2), between said first advanced position and said second working position,
	said internal frame (4) comprising a rotating frame (7) which is mounted rotatably with respect to said frame
	characterized in that said rotating frame (7) comprises a swivel ring (15) defining the axis of rotation of said internal frame (4) with respect to said frame (2).

What did the examination report say and what happened next?

§ Examination report: claims 1 to 11 are new and inventive.

§ Consequences: grant and validation in various countries.

§ Litigation

Thank you for your attention!